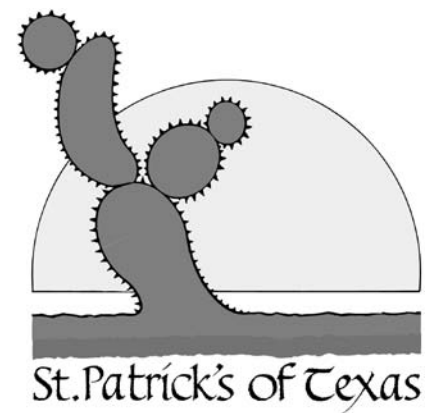
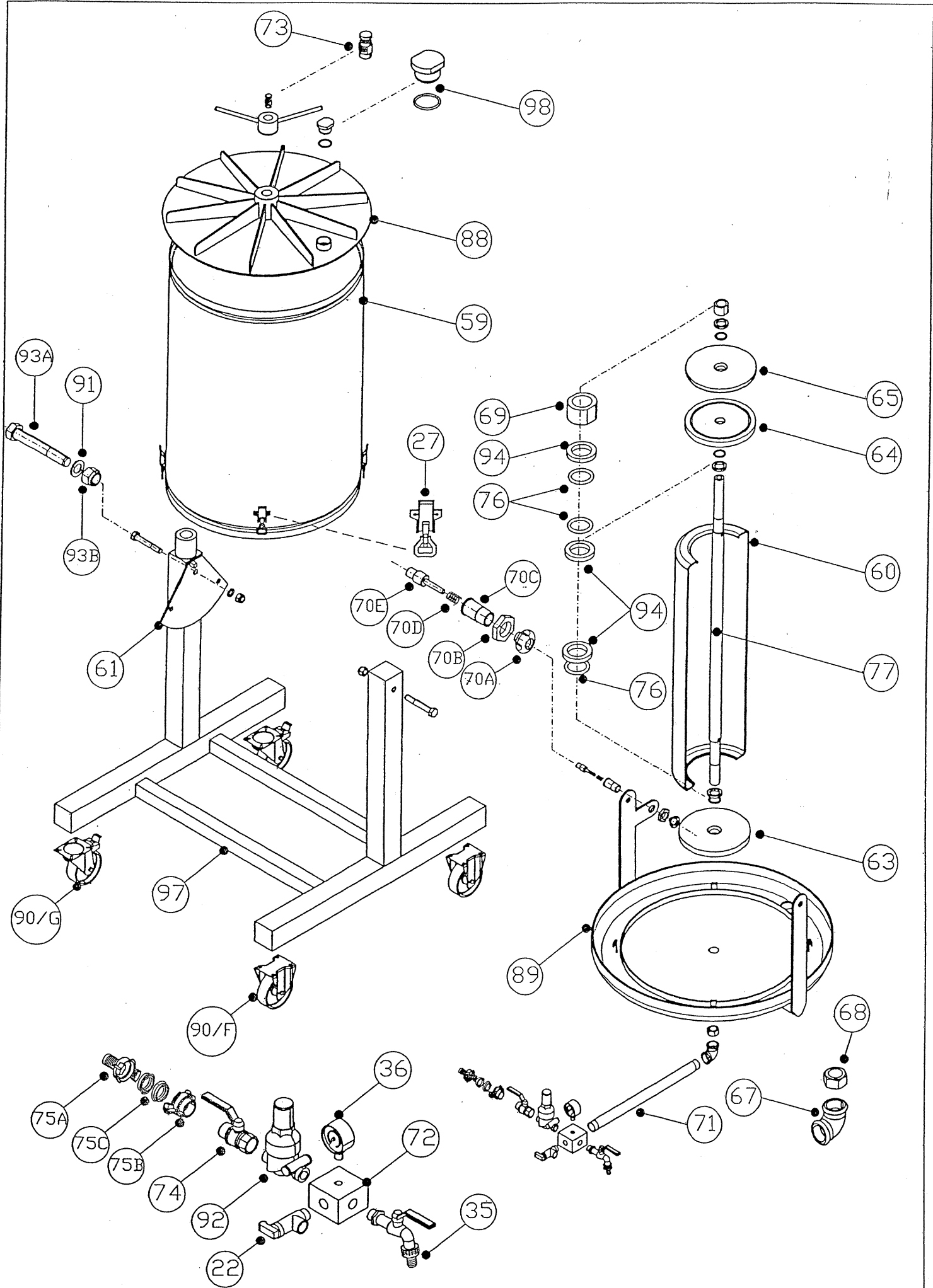


Water press connections

There are 5 ports on the block. It does not matter which item is attached to which port.

- One port for the gauge.
- One port on the backside for the pipe going to the bladder.
- One port for the Inlet--brass hose barb.
- One port for the Outlet---valve that looks like a water faucet.
- One port for the safety relief valve. This is the valve that will open if pressure is excessive.





SCALA
1 : 15

ENOTECNICA
PILLAN

CODICE DISEGNO
N. 00099

REV.
01

ESPLOSO IDROPRESSA 300L

6) SPARE PARTS

N.	DESCRIPTION	Q.TY
22	SAFETY VALVE 3ATM	1
27	ADJUSTABLE TOGGLE LATCH	4
35	TAP WITH HOSE NIPPLE 1/2 GAS	1
36	GAUGE	1
59	CAGE	1
60	MEMBRANE	1
61	WELDED PLATE ON RIGHT FRAME	1
63	TOP FLANGE	1
64	INTERMEDIATE FLANGE	1
65	LOWER FLANGE	1
67	ELBOW 1" GAS	1
68	NUT 1" GAS	1
69	NUT 1" GAS	1
70	CATCH	1
71	CONNECTING DISTANCE PIPE 1"GAS	1
72	BLOCK 70X70X50	1
73	AIR-RELIEF VALVE 3/8" GAS	1
74	TAP M/F 3/4 GAS	1
75	QUICK COUPLING SWIFT 3/4 GAS	3
76	GASKET D.50	3
77	SHAFT	1
88	STAINLESS STEEL LID	2
89	COLLECTING BASE	2
90	FIXED TYRE	2+2
91	PLASTIC WASHER D.18,2	1
92	PRESSURE REDUCER	1
93	SCREW TE M18X120 + LOCKNUT	2+2
94	WASHER FOR SHAFT D.34mm Sp.8mm	3
97	FRAME	1
98	CAP 1"1/4 FOR LID	1